



C.P.A. S.R.L.

SAND FILTERS POLARIS SIDE



C.P.A. srl

Via Don Demetrio Castelli, 71 - 12060 RODDI (CN)  
Tel. 0173.615693 - Fax 0173.620922

[www.cpa-piscine.it](http://www.cpa-piscine.it)  
[cpa@cpa-piscine.it](mailto:cpa@cpa-piscine.it)

### Description

- Suitable for filtering large private swimming pools and public plants
- Coiled filters, internally coated in polyester and fiberglass, completely anti-corrosion and resistant to all chemical products.
- High mechanical and thermal resistance.
- Equipped with diffuser with vents, lateral inspection hatch and emptying with nut closure, pressure gauge
- 2 "six-way selector valve
- Compliant UNI 10637:2016

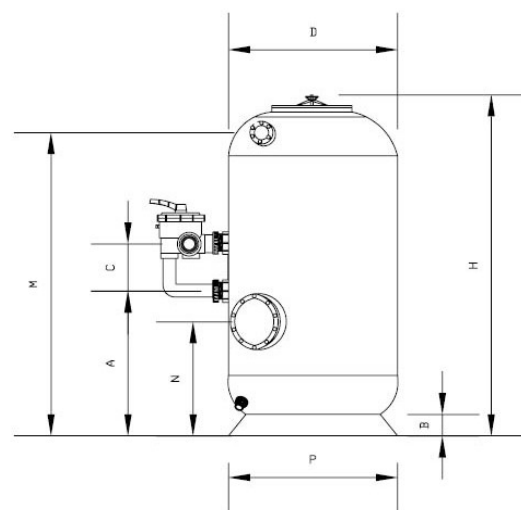
### Technical features

	Model	800	900	1000
TEST PRESSURE	atm	4,0	4,0	4,0
MAXIMUM WORKING PRESSURE	atm	2,5	2,5	2,5
NOMINAL PRESSURE LOSS AT MAXIMUM OPERATING CONDITIONS	< kPa	50	50	50
MAXIMUM WORKING TEMPERATURE	° C	50	50	50
DIAMETER nom. Ø	m	0,80	0,90	1,00
FILTERING SURFACE	m <sup>2</sup>	0,487	0,619	0,765
FILTER LAYER HEIGHT	m	0,7	0,7	0,7
SAND Ø	mm	0,4-0,7	0,4-0,7	0,4-0,7
SAND TOT <sup>1</sup> .	kg	405	515	635
GRIT Ø	mm	3-5	3-5	3-5
GRIT TOT <sup>4</sup> .	kg	60	75	90
Ø CONNECTION	mm	63	63	63
VOLUME	l	633	794	962
MASS	kg	69	73	85
TOTAL MASS IN OPERATION	kg	970	1200	1450

	Model	800	900	1000
Filtering speed	m/h	40	40	40
<b>flow</b>	<b>m<sup>3</sup>/h</b>	<b>19,4</b>	<b>24,7</b>	<b>30,6</b>
Filtering speed	m/h	35	35	35
<b>flow</b>	<b>m<sup>3</sup>/h</b>	<b>17,0</b>	<b>21,6</b>	<b>26,7</b>

### Dimensions and encumbrance

Modello	Ø D [ mm ]	H [ mm ]	A [ mm ]	B [ mm ]	C [ mm ]	P [ mm ]	N [ mm ]	M [ mm ]
800	800	1600	700	150	220	790	520	1220
900	900	1600	700	150	220	790	520	1220
1000	1000	1600	700	145	220	790	520	1220



Note

- The information provided in this document is used at the discretion of the editor, without notice, at the same time as the changes to the product in question in this document: the customer will be responsible for the entire act of the verified order, the persistent correspondence of the product to the information sheet.
- Any technical diagrams reproduced in this document are for information purposes only and are not valid for regulatory purposes